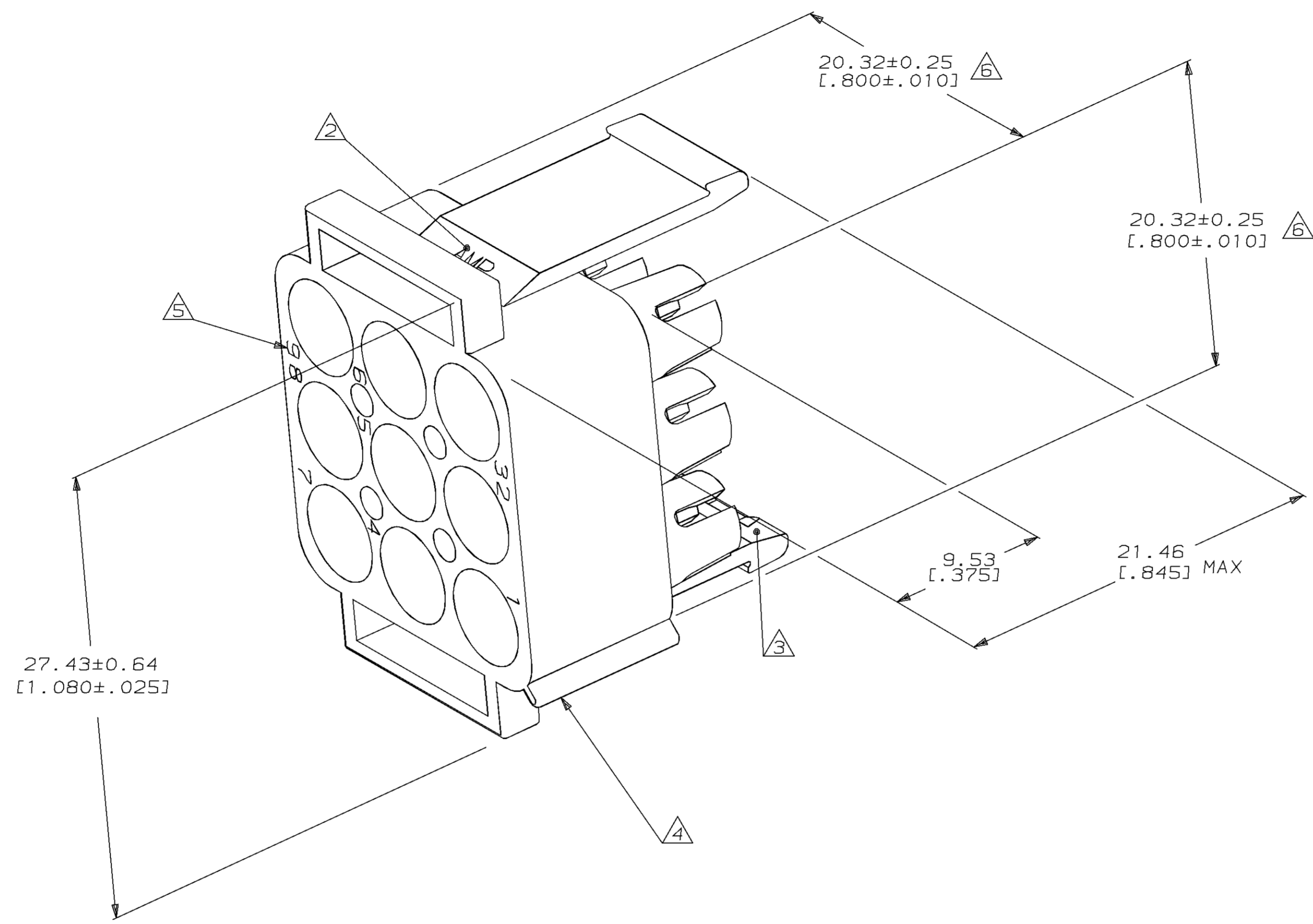


| LOC | | DIST | | P | | F | | ZONE | | LTR | | REVISIONS | | | |
|-----|----|------|--|---|--|---|--|------|--|-----|--|-------------|-------------------------|---------|----|
| CM | 53 | | | | | | | | | | | DESCRIPTION | DATE | APPD | |
| | | | | | | | | | | | | E | REV PER EC 0730-0040-95 | 4-19-95 | RV |



1. MUST BE ASSEMBLED WITH PLUG FRONT P/N 770039-1 BEFORE MATING. KIT P/N IS 770021-1.
2. AMP LOGO LOCATED THIS SURFACE.
3. UL AND CSA LOGOS LOCATED ON FAR SIDE.
4. CIRCUIT NO. 1 IDENTIFICATION RIB LOCATED APPROXIMATELY AS SHOWN.
5. LOCATION OF CIRCUIT NUMBERS MOVE BUT WILL REMAIN ADJACENT TO APPROPRIATE CAVITY.
6. DIMENSION INDICATED IS AS MOLDED. ADDITIONAL GROWTH DUE TO SUBSEQUENT MOISTURE ABSORPTION MAY OCCUR.
7. DIMENSIONS IN BRACKETS ARE IN INCHES.

770040-1
PART NUMBER



| | | | | | |
|---|--|-----------------------|--|---|---------|
| DO NOT SCALE PRINT. UNLESS SPECIFIED DIMENSIONS IN mm TOLERANCES ON + | | DR 1-15-92 K. SALMON | | AMP INCORPORATED Harrisburg, Pa. 17105 | |
| 2 PLC DEC ± 0.13 [.005] | | CHK 1-15-92 R. SWING | | NAME | |
| ANGLES ± | | APPD 1-16-92 M. TRULL | | PLUG REAR, 9 CIRCUIT, UNIVERSAL MATE-N-LOK™ II | |
| MATERIAL | | APPD 1-16-92 M. TRULL | | | |
| NYLON, UL94V-0, | | PRODUCT SPEC | | DRAWING NO | |
| FINISH | | APPLICATION SPEC | | SIZE | FSCM NO |
| | | | | D | 00779 |
| WEIGHT | | | | SCALE | 5:1 |
| | | | | DRAWING NO | |
| | | | | 770040 | |
| | | | | SHEET | |
| | | | | 1 OF 1 | |